



Cerberus® AlgoRex

## Manual call point

AnalogPLUS

**DM1131**  
**DM1132**  
**DM1133**  
**DM1134**

- Manual call point for the Cerberus fire detection system AnalogPLUS
- Individual identification of detectors
- Built-in line disconnection function
- LED to indicate switching status
- Two-wire installation
- Manual call point DM1131 with direct operation
  - For surface and recess mounting in clean, dry rooms
- Manual call point DM1132 with direct operation
  - For inside and outside applications in humid, wet and dusty areas (surface mounting)
- Manual call point DM1133 with indirect operation and DM1134 with direct operation
  - For surface mounting in dry and wet rooms

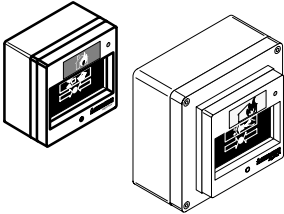
## Application

---

For immediate manual activation of alarm or extinguishing in the event of fire. The manual call points are mounted at easily accessible and visible locations.

### Manual call point DM1131 / DM1132

---



*Direct operation.* The glass plate is broken in the centre by thumb pressure which operates the switch and activates the electronics, so transmitting the danger signal via the two-wire detection line to the control unit.

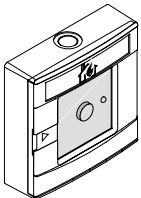
*Reset.* By exchanging the glass plate, the switch reverts to its normal position so making it ready for operation again.

*Performance check.* Using a special tool, the call point can be tested for correct operation externally.

*Address allocation* when the call point is activated for the first time.

### Manual call point DM1133

---



*Indirect operation.* The built-in switch is operated by breaking the glass and pressing the button firmly. This activates the electronics which immediately transmits the danger signal via the two-wire detection line to the control unit.

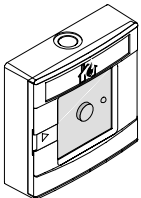
*Reset.* Upon closing the manual call point, the button is reset and is once again ready for operation.

*Performance check* by opening the manual call point and pressing the button.

*Address allocation* when the call point is activated for the first time.

### Manual call point DM1134

---



*Direct operation.* Upon breaking the glass, the button is tripped and activates the built-in switch. This activates the electronics which immediately transmits the danger signal via the two-wire detection line to the control unit. The manual call point can be opened with a key to exchange the glass plate.

*Reset.* Upon closing the manual call point, the button is reset and is once again ready for operation.

*Performance check* by opening the manual call point.

*Address allocation* when the call point is activated for the first time.

## Installation

### DM1131 / DM1132

The DMZ1191 box for surface mounting or the DMZ1192 box for recess mounting is required during the wiring phase of the DM1131. The DM1132 is supplied completely with surface mounting.

- Knockouts are provided for cable entry as required.
- Concealed lines can be fed through the base of the box.
- The manual call point is only mounted after the wiring has been checked, shortly before commissioning.
- The manual call point is supplied with glass plate printed with a pictogram. A 2mm Allen key is necessary to exchange the glass plate.

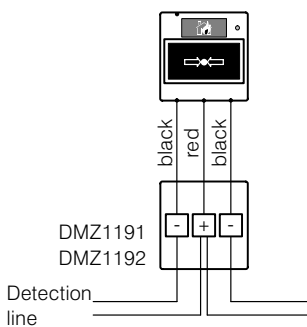
### DM1133 / DM1134

The manual call points comprise the housing DMA1192 and the electronics unit DMA1133 resp. DMA1134.

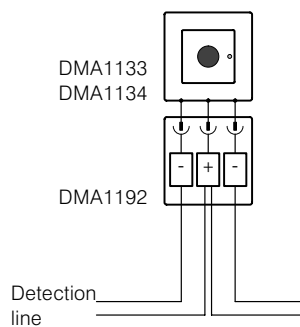
- The housing is required during the wiring phase. The electronics unit is only mounted after the wiring has been checked, shortly before commissioning.
- A PG11 cable entry is provided at the top and bottom of the housing.
- Concealed lines can be fed through the base of the housing.
- When additionally using packing DMZ1197-AD manual call points may also be used in wet environments.

## Connection

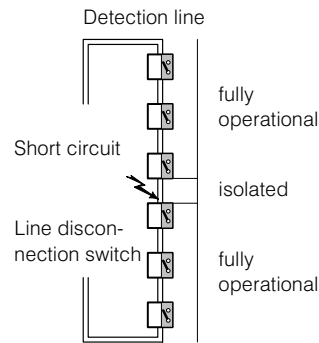
### Manual call point DM1131 / DM1132



### Manual call point DM1133 / DM1134



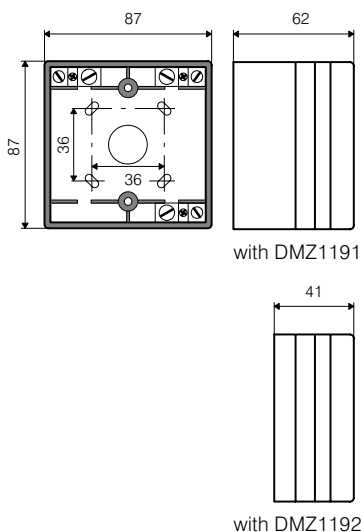
### Line disconnection function



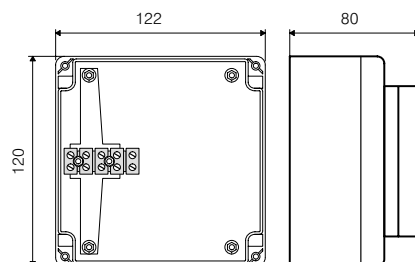
*Built-in disconnection switches.* Any short circuit on the detection line is located by the control unit and the defective component isolated. A loop line ensures optimal security.

## Dimensions

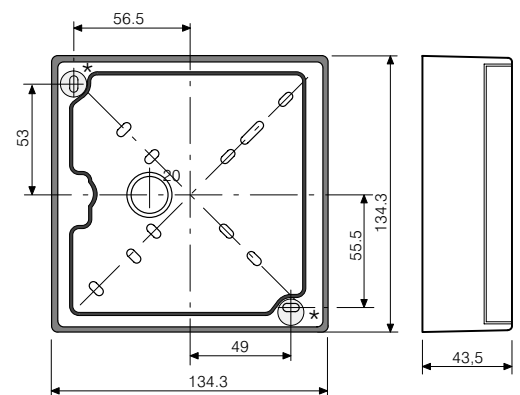
### Manual call point DM1131



### Manual call point DM1132



### Manual call point DM1133 / DM1134



## Technical data

	DM1131	DM1132	DM1133 / DM1134
Operating voltage	16...28V modulated	16...28V modulated	16...28V modulated
Connection terminals	0.2...1.5mm <sup>2</sup> AWG24...15	0.2...1.5mm <sup>2</sup> AWG24...15	0.2...1.5mm <sup>2</sup> AWG24...15
Operating temperature	-25...+60°C	-25...+60°C	-25...+60°C
Storage temperature	-30...+75°C	-30...+75°C	-30...+75°C
Humidity	≤95% rel.	≤100% rel.	≤100% rel. 35g/m <sup>3</sup> abs.
Protection category EN60529/IEC529 - with packing DMZ1197-AD	IP24D -	IP65 -	IP54 IP66
Connection factor	APMK 1	APMK 1	APMK 1
Colour	red, ≈ RAL3000	red, ≈ RAL3000	red, ≈ RAL3000 yellow, ≈ RAL1023 blue, ≈ RAL5005
Standards	prEN54-11 BS5839-2	prEN54-11 BS5839-2	prEN54-11
Approvals - LPCB - VdS	DM1131: 126d/02 -	DM1132: - -	DM1133: DM1134: - 531a/02 G295030 G299069
Compatibility	Compatible with AnalogPLUS fire detection system		

## Details for ordering

	Type	Part no	Designation	Weight
Manual call point DM1131	DM1131	479178	Manual call point with glass plate „pictogram”	0.145kg
	DMZ1191	467986	Box for surface mounting	0.075kg
	DMZ1192	478195	Accessories for recess mounting	0.070kg
Manual call point DM1132	DM1132	521660	Manual call point with glass plate „pictogram”	0.430kg
	-	405676	Cable gland PG16	0.035kg
	-	245687	Backnut PG16	0.005kg
- Accessories	DMZ1194	469078	Spare glass plate „pictogram”	0.015kg
	DMZ1197-AA	493390	Protective cover	0.050kg
Manual call point DM1133	DMA1133B	522465	Electronics unit	0.080kg
Manual call point DM1134	DMA1134B	522478	Electronics unit	0.100kg
- Housings	DMA1192-AA	522287	Housing, red, with plain glass	0.260kg
	DMA1192-AB	546425	Housing, blue, with plain glass	0.260kg
	DMA1192-AC	546412	Housing, yellow, with plain glass	0.260kg
- Options	DMZ1197-AC	522355	Protective cover	0.010kg
	DMZ1197-AD	547068	Packing	0.020kg
- Spare parts	DMZ1195	485191	Key	0.002kg
	DMZ1196-AD	536480	Glass	0.015kg

